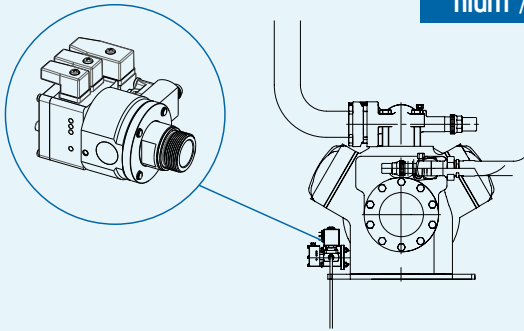
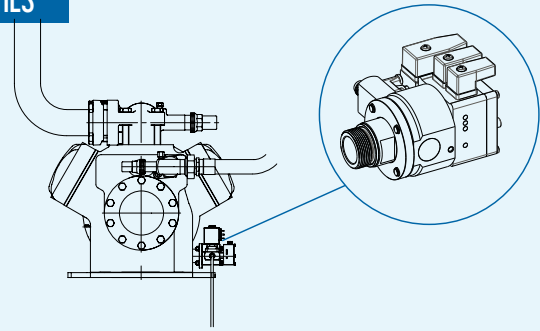


Adapters Addendum

RIGHT / LEFT MOUNTING POSSIBILITIES

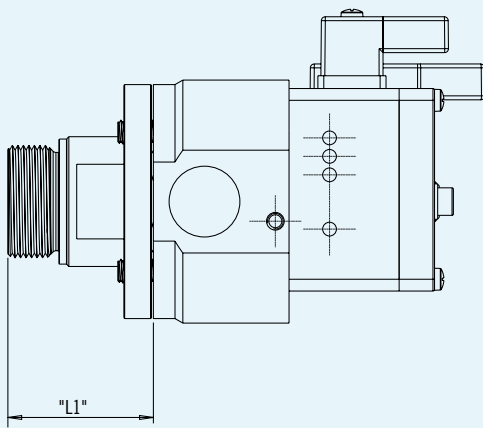


TK3 Right Model Mounting Example



TK3 Left Model Mounting Example

MEASURES



ADAPTER	" L1 "
No adapter (Direct Mounting)	-
1-1/8" - 18 UNEF	34
3/4" NPT	34
3/4/6 holes (50 MM)	50
1" GAS	43
RLK 1" 3/4 - 12 UNF	53,4
M36 X 1,5	45
3/4/6 holes (22 MM)	22
RLK 1" 1/4 - 12 UNF	41,4

Selection Table (some examples based on compressor brand/model)

COMPRESSOR FAMILY / MODE	SELECTION
ARCTIC CIRCLE	G2; G4; G6 0 or 3
BITZER	4G; 4H; 4J; 4NC; 4NHC-20K; 4PC; 4PHC-15K; 4TC; 4THC-12K; 4VC; 4VHC-10K; 4VNC; 4Z; 6F; 6G; 6H; 6J; 8FC; 8GC; S4; S6; 2CHC-4K; 2DC; 2DHC-3K; 2EC; 2EHC-3K; 2FC; 2FHC-3K; 2GC; 2GHC-2K; 2HC; 2HHC-2K; 2JC; 2JHC-07K; 2KC; 2KHC-05K; 4CC; 4CHC-9K; 4DC; 4DHC-7K; 4EC; 4EHC-6K; 4FC; 4FHC-5K; 4KTC-10K ZL; ZM 0 or 3 1 2
BOCK	HA 4; HA 5; HA6; HG 4; HG 5; HG 6; HG 7; HG 8; HGX4/310-4; HGX4/385-4; HGX4/464-4; HGX4/555-4 HA12; HA22; HA34; HG12 ;HG22; HG34; HGX12P/40-4; HGX12P/50-4; HGX12P/60-4; HGX12P/75-4; HGX22P/110-4; HGX22P/125-4; HGX22P/160-4; HGX22P/190-4; HGX34P/215-4; HGX34P/555-4 0 or 3 1
CARRIER	EA; ER; 0 or 3
COPELAND	4CC; 6CC; D2; D3; D4; D6.H; D6.S; D9; DM ZF; ZS 0 or 3 2
DORIN	K Series (except the listed for adapter 1); SCC500 B; SCC750 B; SCC1500 B; SCC1900 B; SCC2000 B; SCC2500 B; SCS340 D; SCS351 D; SCS362 D; SCS373 D; SCS385 D; SCS3K8 D; H Series(except the listed for adapter 1) H1; K100CC; K100CS; K150CC; K150CS; K180CC; K180CS; K200CC; K230CS; K235CC; K240SB; K400CC; K50CS; K75CC; K75CS; SCC250 B; SCC300 B ; SCC350 B; SCC380 B 0 or 3 1
FRASCOLD	A; A-SK; B; D; D-SK; F; F-SK; Q-SK; S; S-SK; V; W; Z 0 or 3
PRESTCOLD	P2; P3; P4; P6; P8; P9 0 or 3
L'UNITÉ HERMÉTIQUE	TAG; TAH 1
MANEUROPE	LT; MT; SM; SZ; 1

Where

TK3 SELECTION	ADAPTER	CODE	
0	No Adapter (Direct mounting)		
1	1-1/8" - 18 UNEF	TKX-A001	
2	3/4" NPT	TKX-A002	
3	3/4/6 holes flange (also as a spacer 50 mm)	TKX-A003	
4	1" GAS	TKX-A004	
5	Rotalock 1" 3/4 - 12 UNF	TKX-A005	
6	M36 x 1,5	TKX-A006	
7	3/4/6 holes flange (also as a spacer 22 mm)	TKX-A0070	
8	Rotalock 1" 1/4 - 12 UNF	TKX-A008	
9	Direct injection for 26 bar MOPD model	TKX-AD12	
10	Direct injection for other models	TKX-AD13	